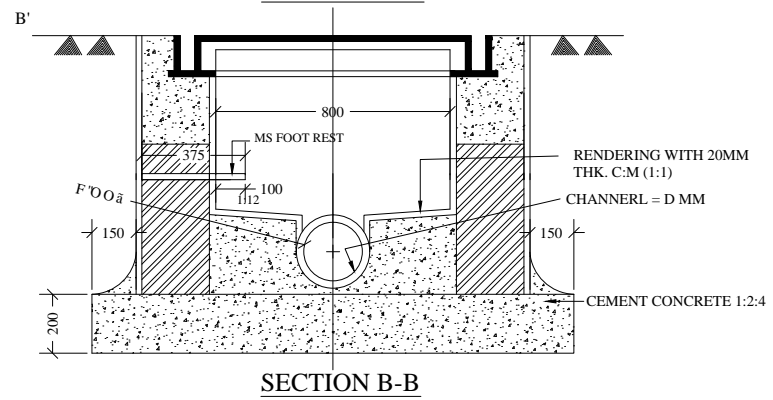
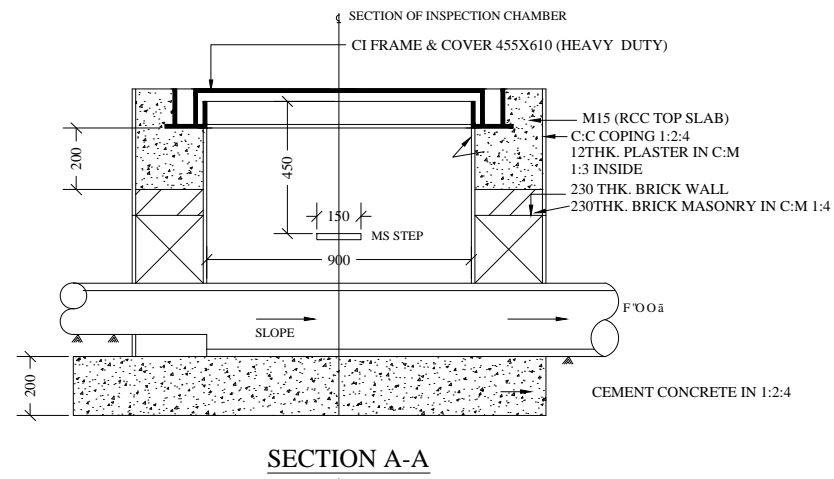
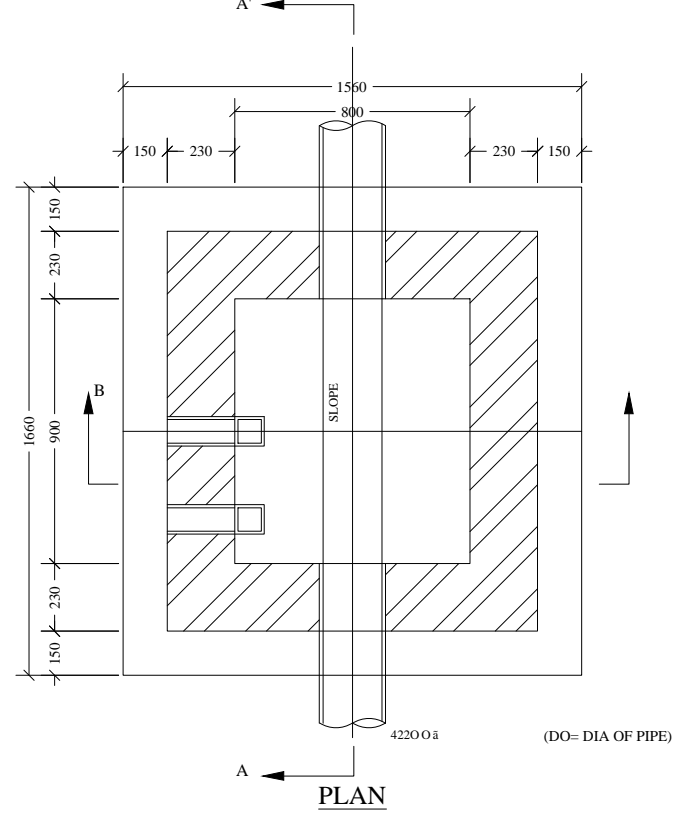
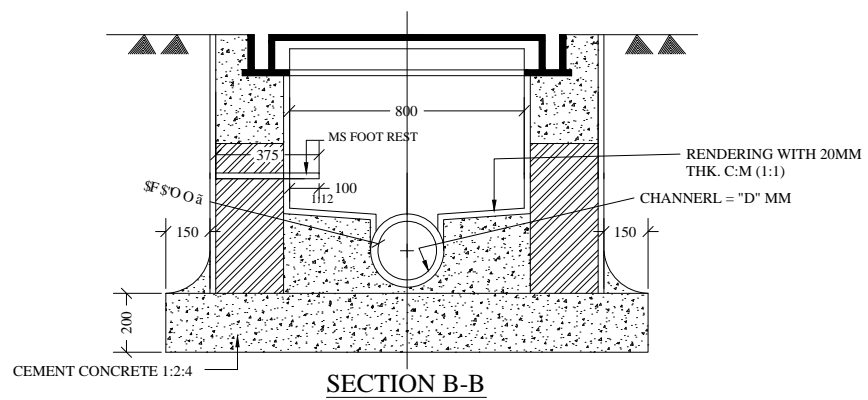
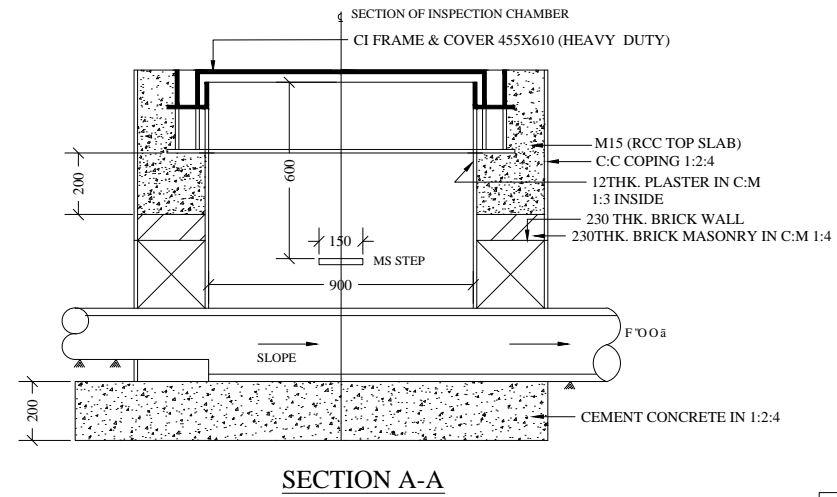
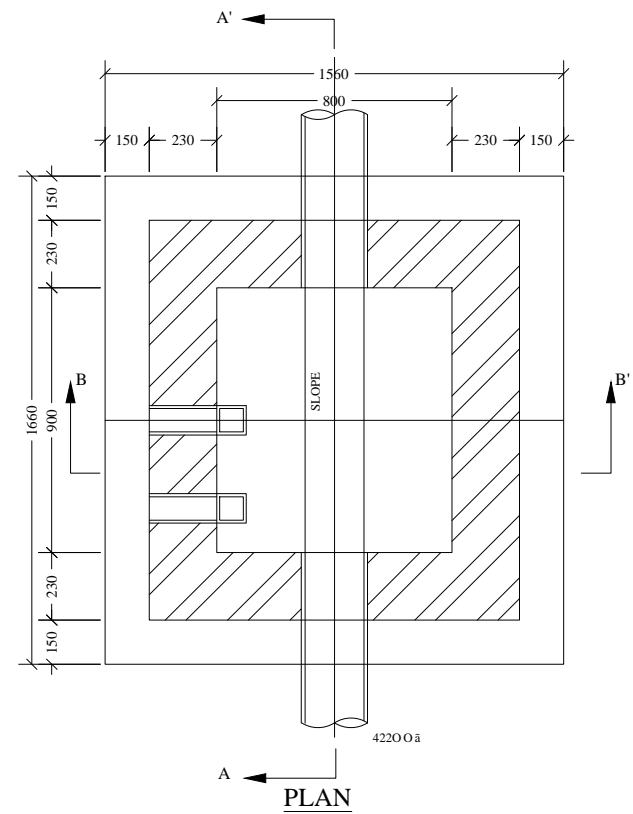


**MHR-1 RECTANGULAR MANHOLE**  
SIZE 900X800MM & DEPTH UPTO 0.45M ONLY



**MHR-2 RECTANGULAR MANHOLE**  
SIZE 900X800MM & DEPTH UPTO 0.6M ONLY



**D16**



LEGENDS



SIGNATURE OF OFFICIALS

NAME OF OFFICER	SIGN WITH SEAL

**PROJECT NAME:**  
UJJAIN UNDERGROUND SEWERAGE SCHEME

**CLIENT:**  
COMMISSIONER MUNICIPAL CORPORATION UJJAIN  
DIST. UJJAIN (MP)

**CONSULTANT:**


**वापकोस लिमिटेड**  
**WAPCOS LIMITED**  
(पुनर्वास निगम - वापकोस, वापकोस वापकोस निगम)  
(A Government of India Undertaking - Ministry of Urban Resources, Urban Development & Construction)

**DRAWING NAME:**  
WORKING DRAWING FOR RECTANGULAR MANHOLE MHR-1 & MHR-2

<b>DATE:</b>	<b>SCALE:</b> NTS	<b>PAGES:</b> 1 of 1
--------------	-------------------	----------------------