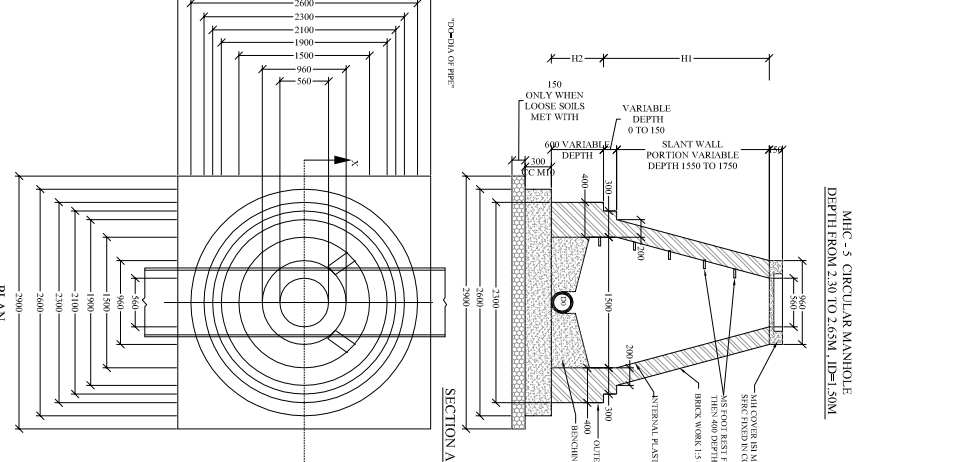
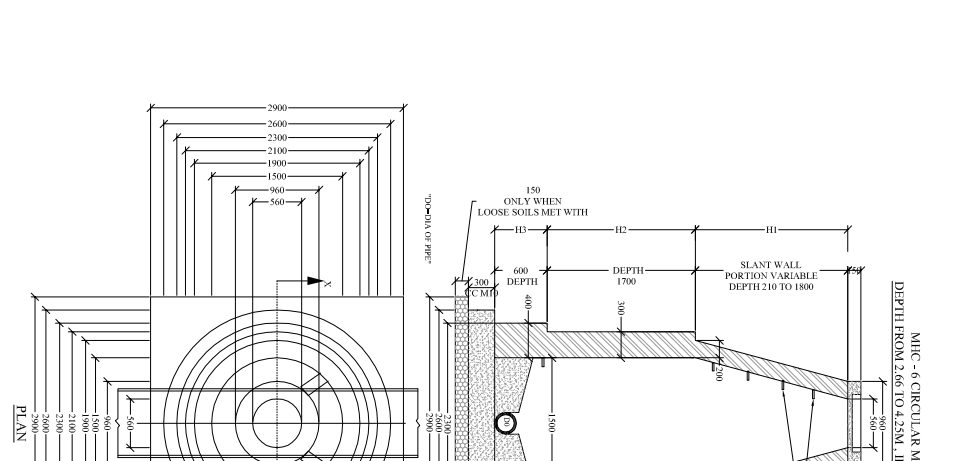
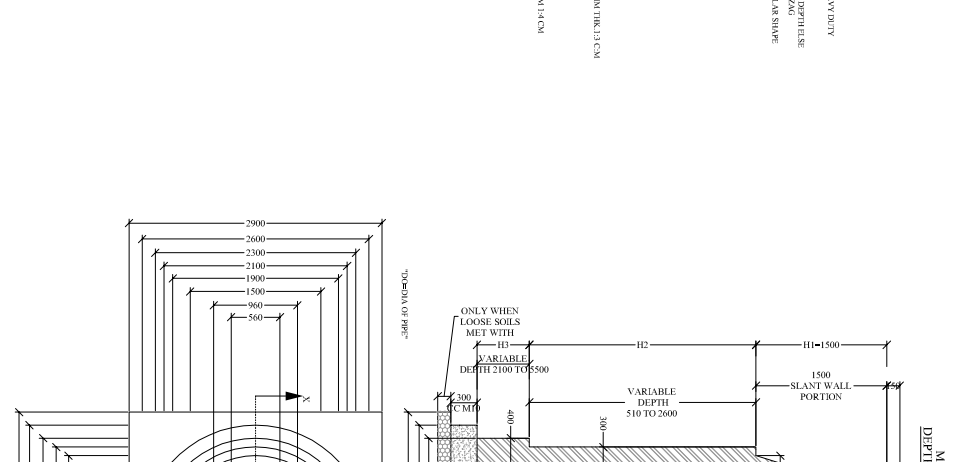
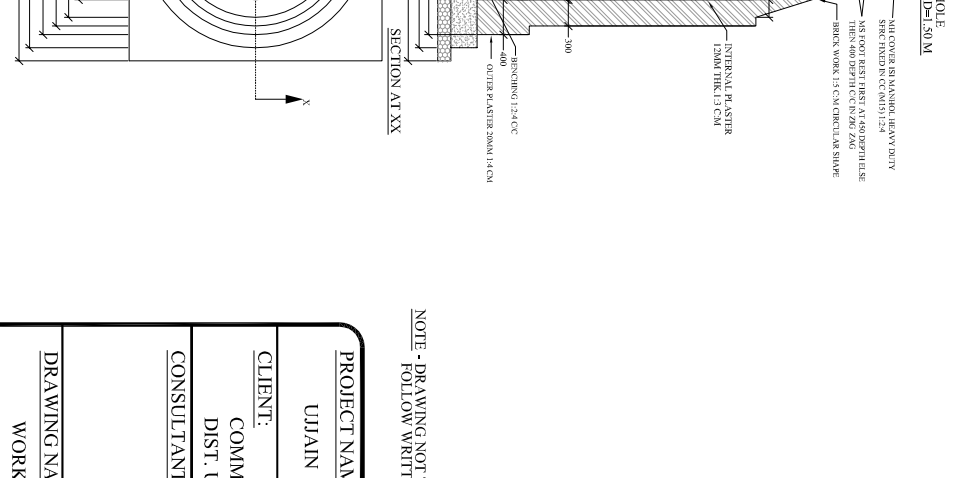
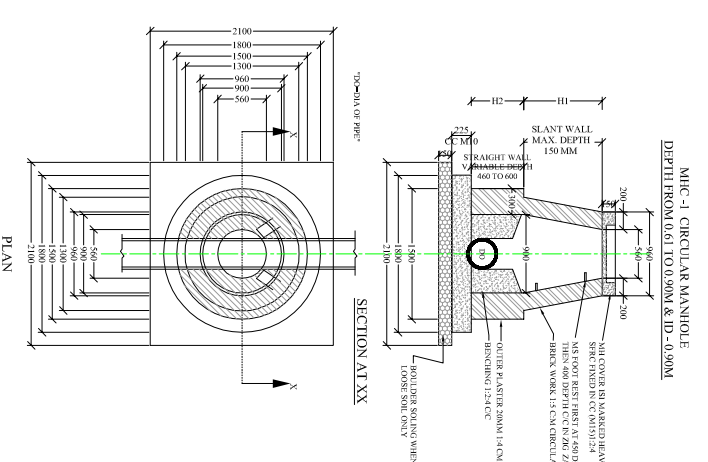
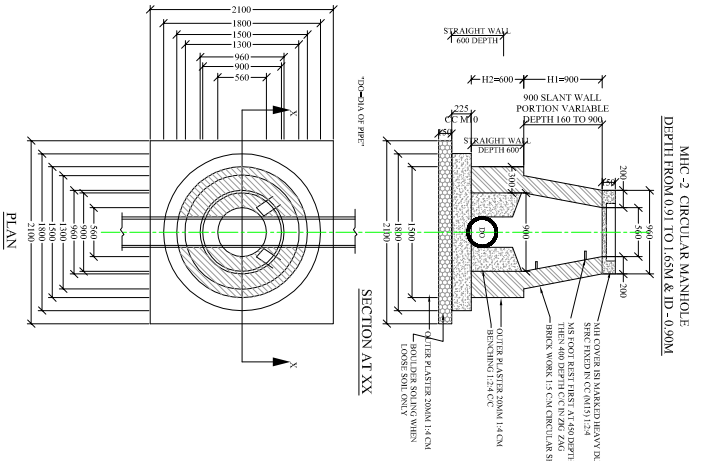
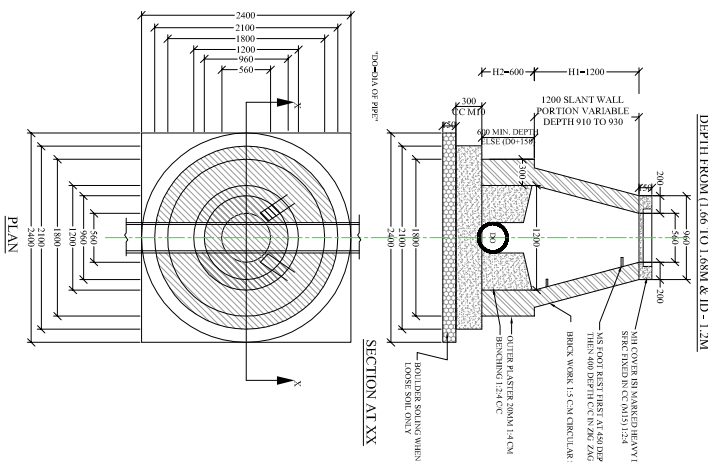
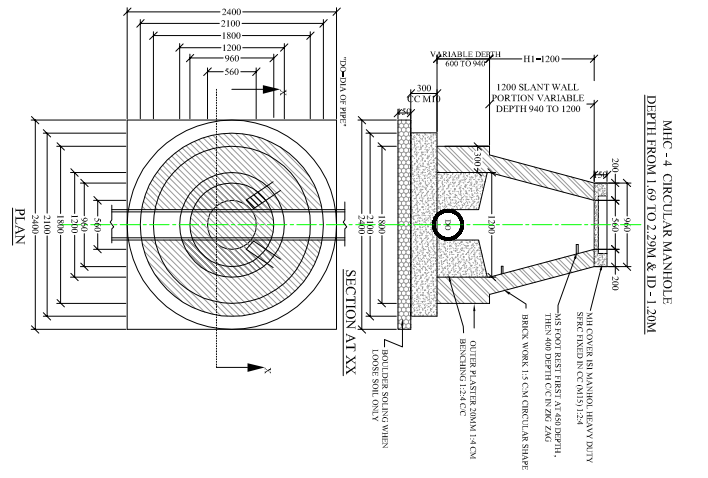


LEGENDS

SIGNATURE OF OFFICIALS	



NOTE - DRAWING NOT TO THE SCALE FOLLOW WRITTEN DIMENSION

PROJECT NAME: UJAIN SEWERAGE SCHEME	
CLIENT: COMMISSIONER UJAIN MUNICIPAL CORPORATION DIST. UJAIN (MP)	
CONSULTANT:	
<p>वापकोस लिमिटेड WAPCOS LIMITED</p> <p><small>(एनएसई लिस्टेड कंपनी - एनएसई, एनएसई एंड एफएसई अंतर्गत) (An Investment of Public Confidence - Member of Public Enterprises, Share Development & Listing Association)</small></p>	
DRAWING NAME: WORKING DRAWING FOR CIRCULAR MANHOLE	
DATE:	PAGES:
SCALE-N/Ts	PAGES: