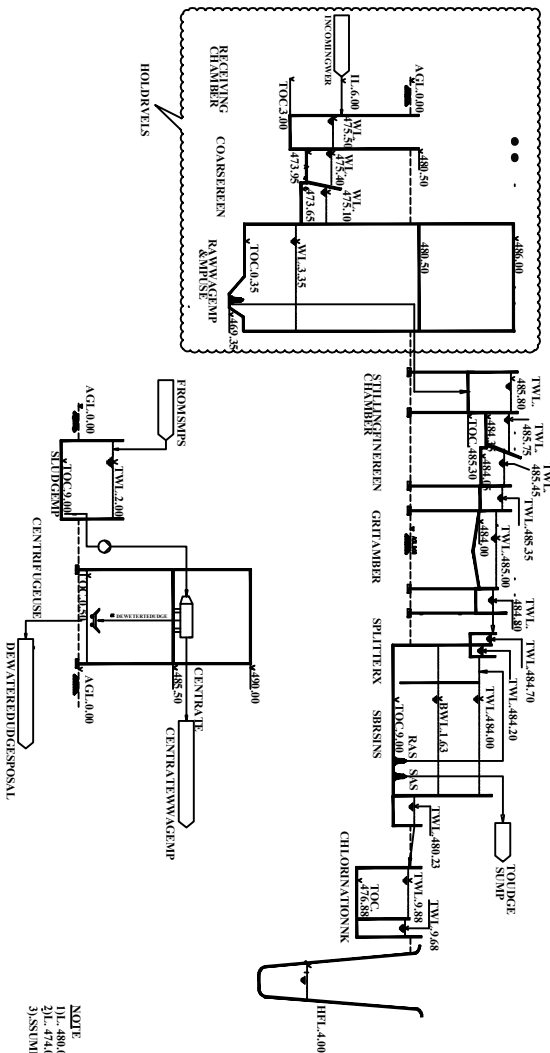
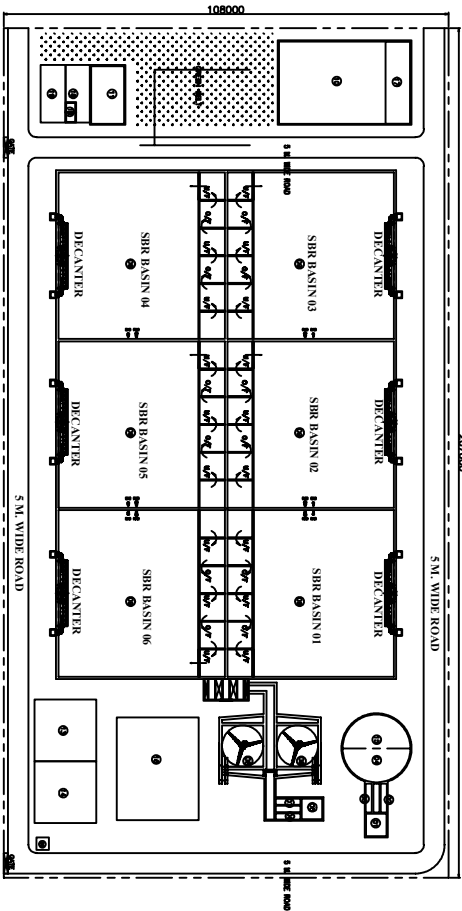


HYDRAULIC FLOW DIAGRAM OF SEWAGE TREATMENT PLANT & GENERAL LAYOUT FOR CAPACITY 92 MLD UJJAIN UGSS




NOTE
 1) L-480.00
 2) L-474.00
 3) S(SIMD) 476.00



| NO. | DESCRIPTION | QTY. | REMARKS |
|-----|---------------|-------|---------|
| 01 | CONCRETE WORK | 10000 | 10000 |
| 02 | STEEL WORK | 10000 | 10000 |
| 03 | PAINT WORK | 10000 | 10000 |
| 04 | CONCRETE WORK | 10000 | 10000 |
| 05 | STEEL WORK | 10000 | 10000 |
| 06 | PAINT WORK | 10000 | 10000 |
| 07 | CONCRETE WORK | 10000 | 10000 |
| 08 | STEEL WORK | 10000 | 10000 |
| 09 | PAINT WORK | 10000 | 10000 |
| 10 | CONCRETE WORK | 10000 | 10000 |
| 11 | STEEL WORK | 10000 | 10000 |
| 12 | PAINT WORK | 10000 | 10000 |
| 13 | CONCRETE WORK | 10000 | 10000 |
| 14 | STEEL WORK | 10000 | 10000 |
| 15 | PAINT WORK | 10000 | 10000 |
| 16 | CONCRETE WORK | 10000 | 10000 |
| 17 | STEEL WORK | 10000 | 10000 |
| 18 | PAINT WORK | 10000 | 10000 |
| 19 | CONCRETE WORK | 10000 | 10000 |
| 20 | STEEL WORK | 10000 | 10000 |
| 21 | PAINT WORK | 10000 | 10000 |
| 22 | CONCRETE WORK | 10000 | 10000 |
| 23 | STEEL WORK | 10000 | 10000 |
| 24 | PAINT WORK | 10000 | 10000 |
| 25 | CONCRETE WORK | 10000 | 10000 |
| 26 | STEEL WORK | 10000 | 10000 |
| 27 | PAINT WORK | 10000 | 10000 |
| 28 | CONCRETE WORK | 10000 | 10000 |
| 29 | STEEL WORK | 10000 | 10000 |
| 30 | PAINT WORK | 10000 | 10000 |

PROJECT NAME:
UJJAIN UNDERGROUND SEWERAGE SCHEME

DIST. UJJAIN (M.P.)
 COMMISSIONER UJJAIN MUNICIPAL CORPORATION

CONSULTANT:

WAPCOS LIMITED

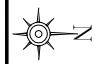
DRAWING NAME:
HYDRAULIC FLOW DIAGRAM OF SEWAGE TREATMENT PLANT AND GENERAL LAYOUT

DATE: _____

SIN: _____

PAGES: _____

D19



LEGENDS

| | |
|--|--|
| | |
| | |
| | |
| | |
| | |
| | |
| | |
| | |
| | |
| | |
| | |

| | |
|------------------------|----------------|
| SIGNATURE OF OFFICIALS | |
| NAME OF OFFICER | SIGN WITH SEAL |

CLIENT: